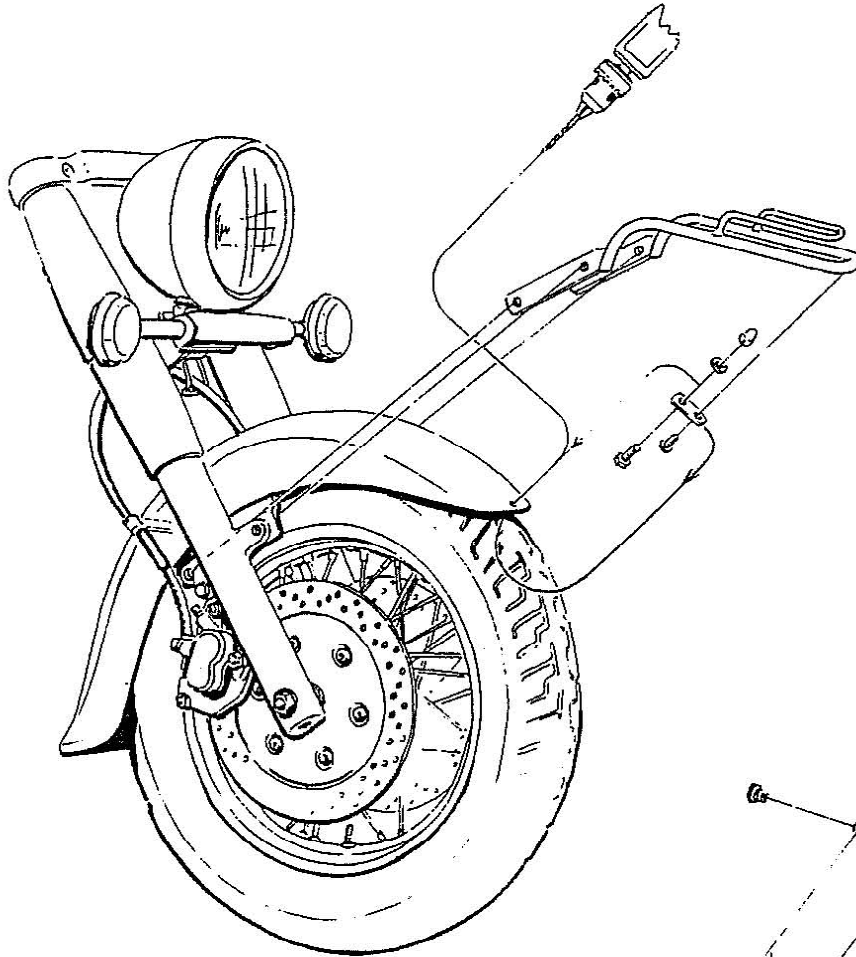




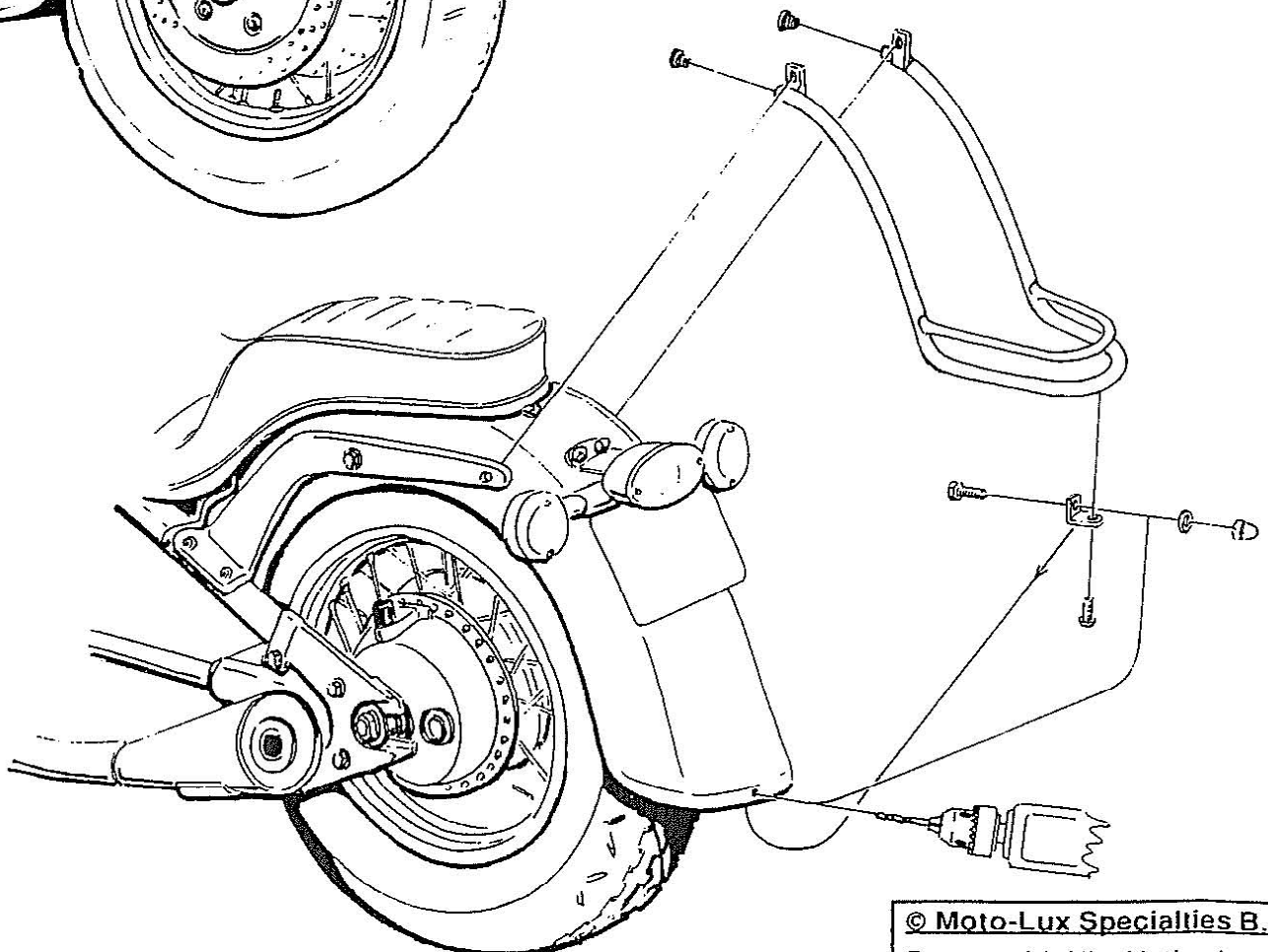
Fendertrim



Important

For proper fixation of the fendertrim a small hole needs to be drilled on the edge of the fender.

Manufacturer cannot be held responsible for improper mounting of this accessory.



© Moto-Lux Specialties B.V.
Barneveld - The Netherlands