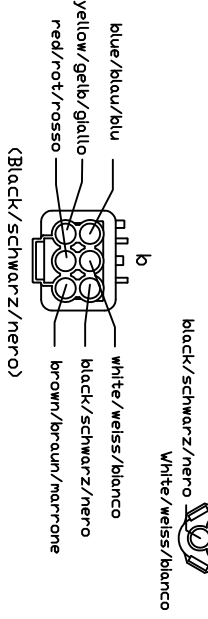
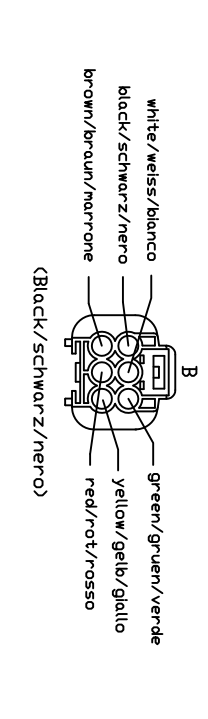
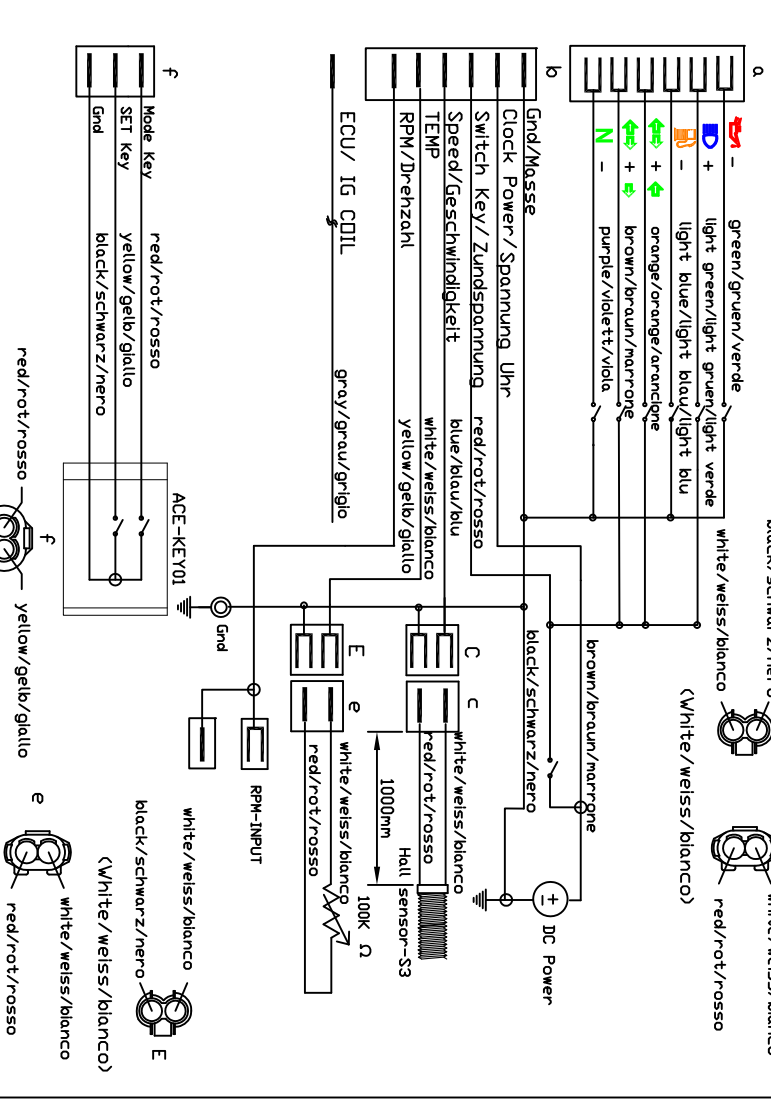
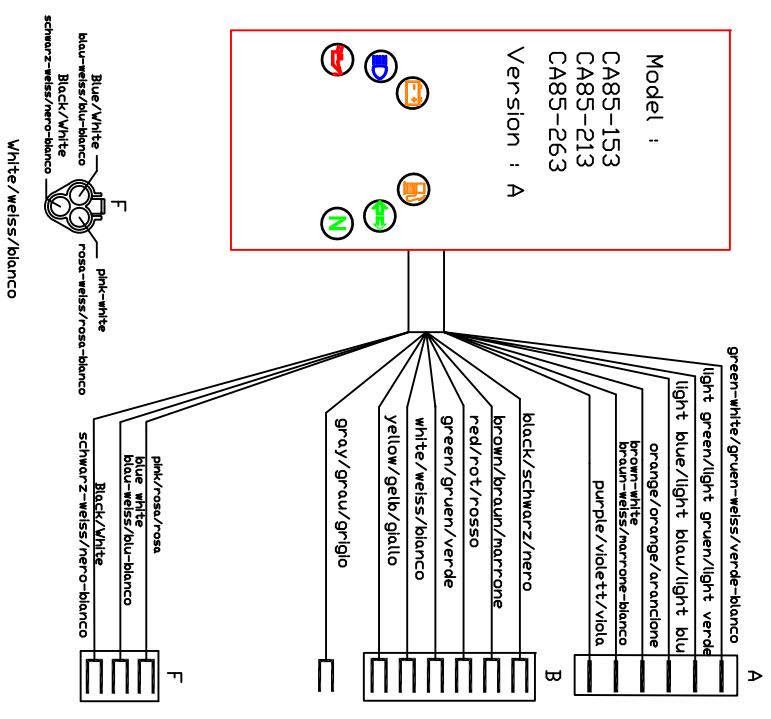


Model :  
 CA85-153  
 CA85-213  
 CA85-263  
 Version : A



MODEL NO	CA85-153/213/263-SPD
VERSION	AK2015/3/6
Tel	+497161/9871639
Fax	+497161/9874458
Mail	Info@acewell.de

**Acewell-Technologies**